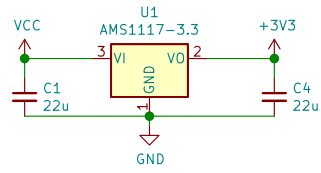
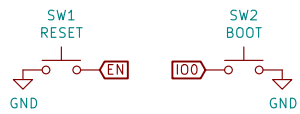


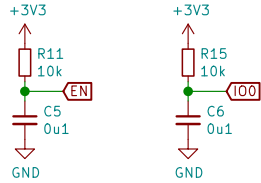
Input voltage regulator



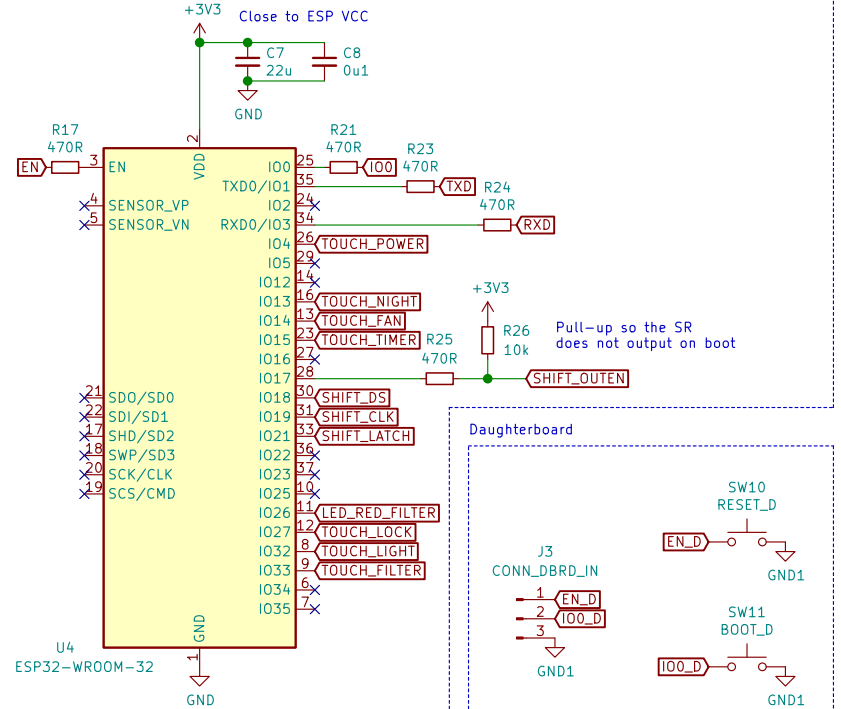
Button switches



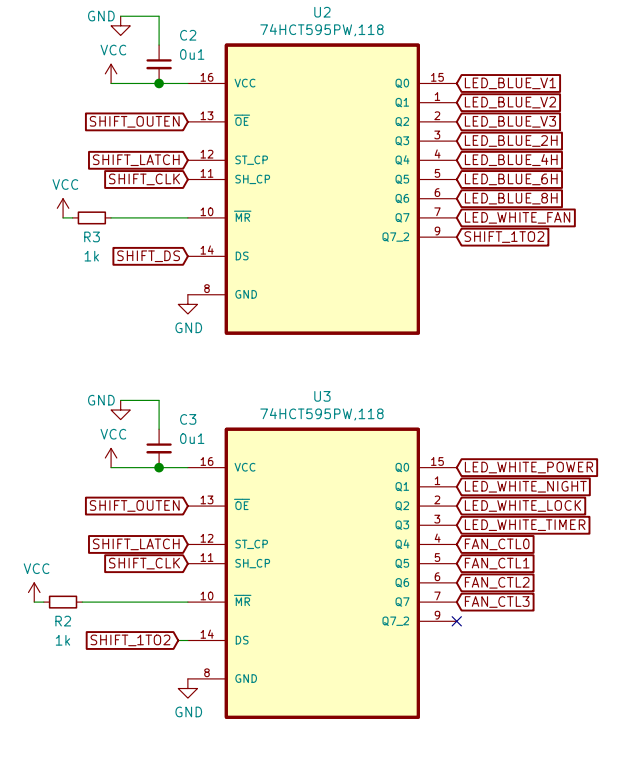
Boot mode pull-ups



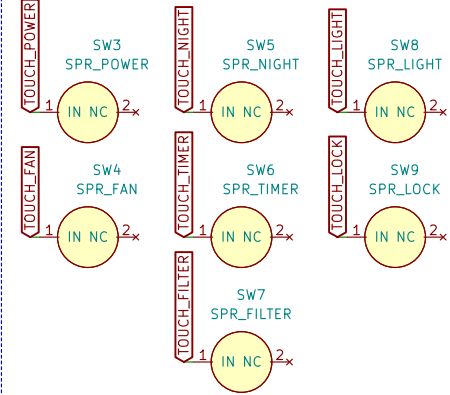
ESP32-WROOM-32 module



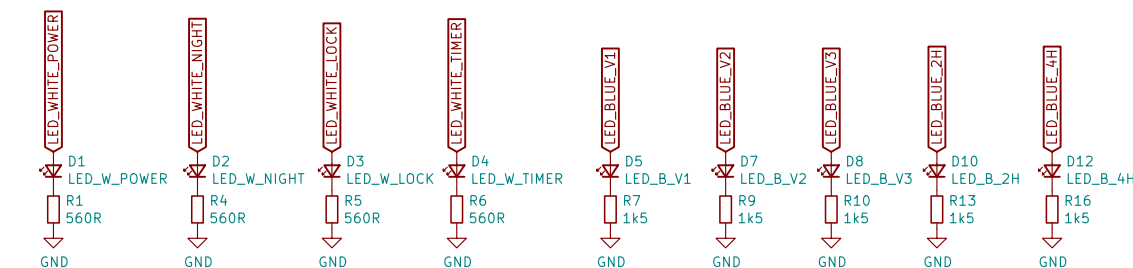
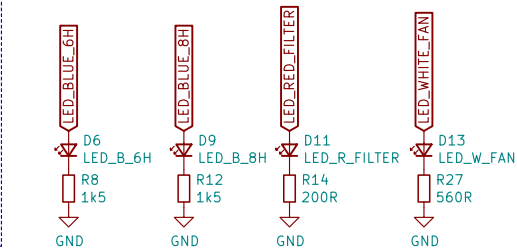
LEDs shift register



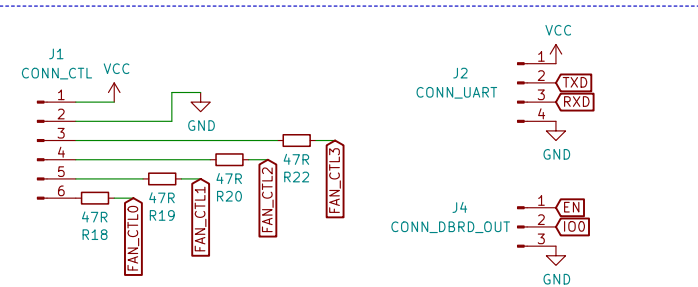
Touchpad springs



LEDs



Connectors



Notes:
22uF caps are only available in 0603 footprints at JLC
100nF caps are available in 0402

Daivde Depau

Sheet: /
File: custom-pcb.sch

Title: Levoit Purifier ESP32 PCB

Size: A4 Date: 2021-04-13

KiCad E.D.A. kicad 5.1.9

Rev: v0.1

Id: 1/1